

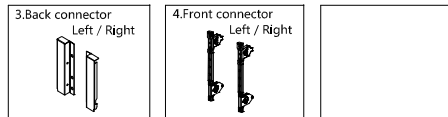
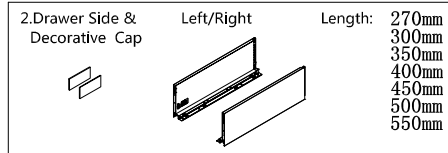
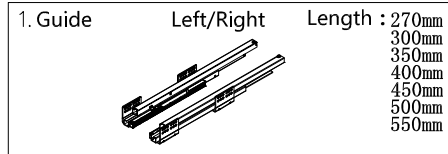
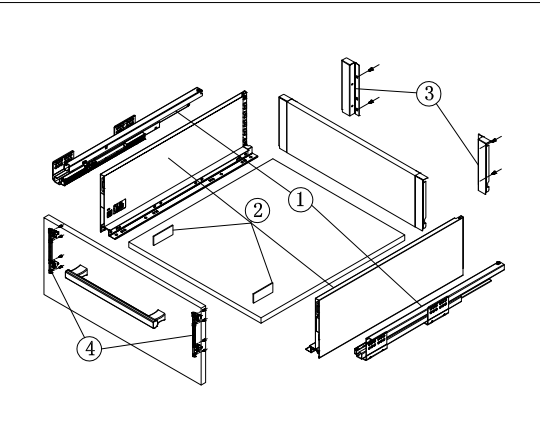
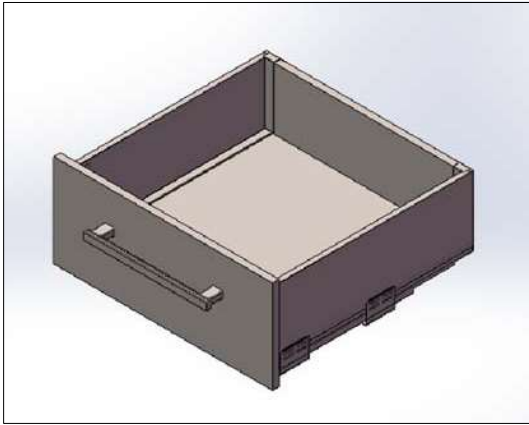
Silent Drawer System

Modul Box Assembly Instruction

Special Features:

- Length: 270, 300, 350, 400, 450, 500, 550mm.
- The drawer side-board is 171mm high.
- Drawer width can be designed freely with automatic error adjustment.
- Hidden full pullout silencing sliding skid can bear 35kg and enjoy
- excellent stability and quite and smooth sliding performance.
- Quick installation and dismantle.
- Newly-designed built-in damper is free from reinstallation and ensures soft and smooth drawer movements.

Basic length	Internally usable drawer depth	Minimum installation depth of drawer	Minimum installation height
270mm	242mm	270mm	192mm
300mm	272mm	300mm	192mm
350mm	322mm	350mm	192mm
400mm	372mm	400mm	192mm
450mm	422mm	450mm	192mm
500mm	472mm	500mm	192mm
550mm	522mm	550mm	192mm



Technology pivot:
Bottom and Back Panel Measurement
16MM Density Panel

LW: Inside Cabinet Width

- Bottom panel width=Inside Cabinet Width-75±0.5
Bottom panel length=Runner length-10MM
- Back panel height= 151MM
Back panel width=Inside Cabinet Width-87±0.5

Runner Installation(mm)

Basic length: 270/300/350/400/450/500/550

Inside Cabinet Dimension

Front Panel Mounting Positions

B Side overlay (user-defined)

Front Fixing Brackets Positions

A, B Side overlay (user-defined)

Back Panel Mounting Positions

Front fixing brackets mounting

Front panel removing

- 1 Tighten the fixing screw after installed the panel
- 1 Take out the plastic cover
- 1 Loosen the fastening screws
- 2 Rotation to dismantle the panel

Front panel height adjustment : ±2mm

Front panel side adjustment : right 1mm

Front panel side adjustment : left 1mm

Mounting the drawer

Installing the drawer

Removing the drawer

Push the metal spring part from the panel & pull out

Function of the damper